

## Panel Pcs

### VIA VIPRO VP7710

Fanless Panel PC with 10.4"  
TFT LCD and Touch Screen

#### Features

- Fanless and ultra low power consumption
- Built-in 1.6 GHz VIA Eden™ ULV processor
- 10.4" TFT LCD panel with touch screen
- Integrated VIA UniChrome™ Pro II 3D/2D AGP graphics with MPEG-2 and WMV9 video decoding acceleration
- Supports Gigabit Ethernet, with optional Wireless LAN 802.11b/g
- IP65 compliant front panel protects against water and dust

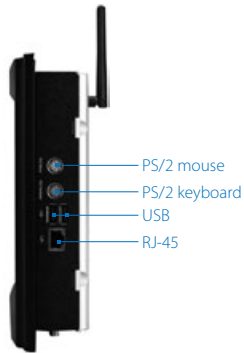


#### Specifications

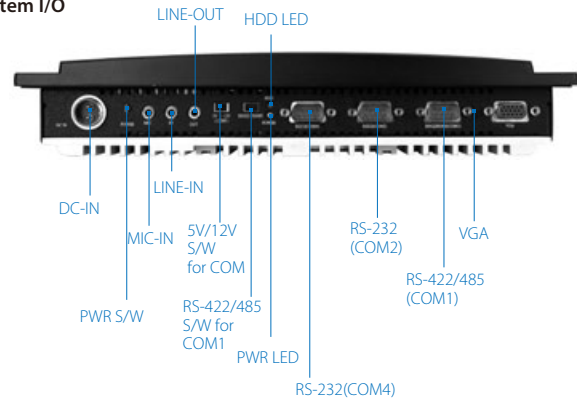
Part Number	VP-7710-R1E16A1	
<b>Computing System</b>	<b>Processor</b>	1.6GHz VIA Eden™ ULV
	<b>Front Side Bus</b>	800 MHz
	<b>L2 Cache</b>	128 KB
	<b>Chipset</b>	VIA CX700M Unified Digital IGP chipset
	<b>BIOS</b>	Award 4 MBit Flash BIOS
	<b>System Power Management</b>	Timer Power-on, ACPI supported
<b>Memory</b>	<b>Technology</b>	1 x DDR2 533 200-pin SDRAM SODIMM socket
	<b>Max. Capacity</b>	Up to 1 GB
<b>Graphic</b>	<b>Controller</b>	Integrated VIA UniChrome™ Pro II 3D/2D AGP graphics with MPEG-2 and WMV9 video decoding acceleration
	<b>Display Memory</b>	Optimized shared memory architecture, supports up to 128 MB frame buffer using system memory
<b>LCD Display</b>	<b>LCD Type</b>	10.4" Color TFT LCD panel
	<b>Resolution/Color</b>	Up to 800 x 600 @ 262K
	<b>Pixel Pitch</b>	0.264 mm x 0.264 mm
	<b>Viewing Angle</b>	70° (right), 70° (left), 55° (up) and 65° (down)
	<b>Luminance</b>	230 cd/m2
	<b>Backlight MTBF</b>	30,000 hours (typical)
<b>Touch Screen</b>	<b>Type</b>	Analog resistive, continuous resolution
	<b>Light Transmission</b>	82.5% (typical)
	<b>Controller</b>	USB interface
	<b>Durability</b>	1 million touches
<b>Ethernet</b>	<b>Controller</b>	VIA VT6122 Gigabit Ethernet
	<b>Interface</b>	Supports 1 x RJ45 connector Supports Wake-on LAN (WOL) Supports Preboot Execution Environment (PXE)
<b>Audio</b>	<b>Controller</b>	VIA VT1708A High Definition Audio Codec
	<b>Interface</b>	Supports Line-in, Line-out, Mic-in connectors
<b>Serial</b>	<b>USB</b>	2 x USB ports, USB 2.0 compliant
	<b>Serial Ports</b>	3 x COM ports (2 x RS-232 & 1 x RS-422/485) 5V/12V selectable
<b>Storage</b>	<b>HDD</b>	1 x 2.5" drive bay
	<b>Compact Flash</b>	1 x Type I socket
<b>System Indicator</b>	<b>Power Status LED</b>	1 x Orange color LED
	<b>HDD Activity LED</b>	1 x Blue color LED
<b>Watch Dog Timer</b>	<b>Output</b>	System reset
	<b>Interval</b>	Programmable 1 ~ 255 sec



### Side System I/O



### Bottom System I/O



## Specifications

Part Number	VP-7710-R1E16A1	
System I/O	<b>Bottom I/O Ports</b>	1 x VGA connector 1 x RS-422/485 serial port connector as COM1 2 x RS-232 serial port connectors as COM2 and COM4 1 x 5V/12V selectable switch for COM2 and COM4 3 x Audio jacks of Line-out, Line-in and Mic-in connectors 1 x ATX power on/off button 1 x 2-pole, DC DIN jack power input connector 1 x antenna hole for optional WLAN
	<b>Side I/O Ports</b>	1 x PS/2 mouse connector, 1 x PS/2 keyboard connector 2 x USB 2.0 connectors, 1 x RJ45 connector
Power Supply	<b>Power Consumption</b>	Maximum 32 W Typical 24.6 W
	<b>Input Voltage</b>	7 V <sub>DC</sub> ~ 30 V <sub>DC</sub> Typical: 7 V <sub>DC</sub> @ 4.57 A 12 V <sub>DC</sub> @ 2.66 A 16 V <sub>DC</sub> @ 1.93 A 19 V <sub>DC</sub> @ 1.68 A 24 V <sub>DC</sub> @ 1.33 A 30 V <sub>DC</sub> @ 1.1 A
	<b>Input Power Protection</b>	Supports over voltage protection Supports over current protection Supports under voltage protection
Mechanical	<b>Construction</b>	Aluminum mixed with heavy-duty steel
	<b>Mounting</b>	Panel/Wall/Table/VESA mountable
	<b>Dimensions</b>	300.4mm (W) x 205.9mm (H) x 55.2mm (D) (11.82" x 8.1" x 2.17")
	<b>Weight</b>	3.6 kg (7.9 lbs)
Environmental Specification	<b>Operating Temperature</b>	0°C ~ 45°C
	<b>Storage Temperature</b>	-20°C ~ 70 °C
	<b>Relative Humidity</b>	0 ~ 90% @ 45°C, non-condensing
	<b>Vibration Loading During Operation</b>	When system equipped with Compact Flash Disk only: 5Grms, IEC 60068-2-64, random, 5 ~ 500Hz, 1 Oct./min, 1hr/axis
	<b>Shock During Operation</b>	When system equipped with 2.5" Hard Disk Driver: 20G, IEC 60068-2-27, half sine, 11ms duration When system equipped with Compact Flash Disk: 50G, IEC 60068-2-27, half sine, 11ms duration
	<b>Front Panel Protection</b>	IP65 compliant
Software Compatibility	<b>EMC Approved</b>	CE, FCC Class B
	<b>Operation System</b>	Microsoft Windows XP, Windows XP Embedded, Linux

## Ordering Information

Part Number	CPU Frequency	Description
VP-7710-R1E16A1	1.6 GHz Eden™ ULV	1.6 GHz Eden™ ULV based fanless 10.4" touch panel PC, with VGA, 2 x USB 2.0, 3 x COM, 1 x GigaLAN

## Optional Accessories

\*Note: The optional accessories may have minimum ordering quantity limitation. Please contact VIA Sales representative for more details.

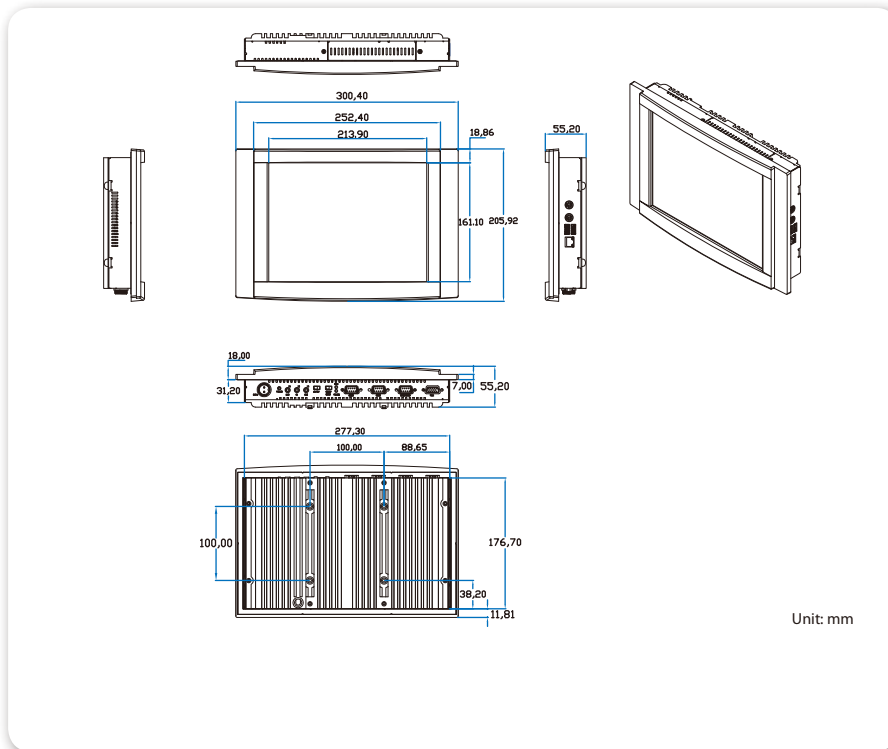
External AC-to-DC Adapter and Power Cable	
Part Number	Description
99G63-020196	60W AC-to-DC adapter, input 100-240V, output DC 12V by DC-plug connector
99G33-02032C	Power cable, 180 cm, USA type
99G33-02034C	Power cable with PSE mark, 180 cm for Japan
99G33-02033C	Power cable, 180 cm, Europe type
99G33-02031C	Power cable, 180 cm, UK type

WLAN USB Module	
Part Number	Description
EMIO-1530-00A1	802.11 b/g Wireless LAN USB module for USA
EMIO-1530-10A1	802.11 b/g Wireless LAN USB module for Europe

Embedded OS (Only available for OEM service)	
Part Number	Description
POS-MXPEXI-ENS00	Windows XP Embedded SP3 Image and License for VIPRO VP7710, English Version
POS-MXPPLI-ENS00	Windows XP Professional SP3 Image & License for VIPRO VP7710, English Version

Mounting Plate	
Part Number	Description
99G42-090164	Wall-mount bracket for VIPRO VP7710
99G42-090154	Desktop stand for VIPRO VP7710

## Dimensions



## Packing List

- 1 x VIPRO VP7710 unit
- 1 x Power cable, DIN-jack to DC-plug
- 1 x IDE cable
- 1 x SATA data cable
- 1 x Panel mounting plate