

AFL3-W07A-BT **New**

Dual-core Intel® Celeron® N2807

Features

- 7-inch HD 1024 x 600
- Flat screen with 6H projected capacitive touch supports multi-touch function
- 9V~30V wide range DC power input
- Fanless cooling system with dual-core Intel® Celeron® N2807 processor 1.58 GHz
- 2GB DDR3L Onboard RAM
- Built-in 802.11a/b/g/n/ac wireless LAN
- Landscape and portrait screen modes support different applications
- Front panel is compliant with IP65 protection standard



HD High Performance Interactive System

The AFL3-W07A-BT has a 7-inch display with HD 1024 x 600 pixels and is pre-installed with a high-performance Celeron® N2807 CPU, which is a dual-core processor that comes with 1 MB L2 cache and 1.58 GHz base clock. The SoC has 2.17 GHz maximum burst frequency, which pumps up its frequency to complete tasks faster suitable for industrial computing. Benefits include:

- **Support fan-less design**
- **Green memory: low voltage DDR3L supports up to 4 GB**
- **New graphic performance**

The latest Intel® Atom™ processor includes a 7th generation Intel® GPU with burst technology to provide a stunning graphics and media experience. Seamless video playback is supported by a high performance and low power hardware acceleration of media encode and decode.

- 3D graphics hardware acceleration including support for DirectX*11, OCL 1.2, OGL ES Halmi/2.0/1.1, OGL 3.2
- Video decode hardware acceleration including support for H.264, MPEG2, MVC, VC-1, WMV9 and VP8 formats
- Video encode hardware acceleration including support for H.264, MPEG2 and MVC formats

Double Graphics Power!

3DMark2001

*Windows 8



Intel® Atom™ Processor
N2600 (1M Cache, 1.6 GHz)



Intel® Celeron® Processor
N2807
(1M Cache, up to 2.16 GHz)



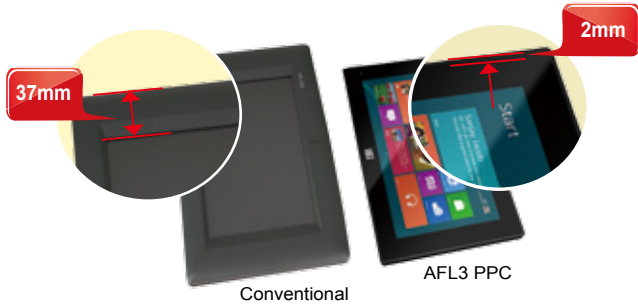
	AFL-W07A-N26	AFL3-W07A-BT
Core Functionality	Intel® Atom™ processor N2600 (1M cache, 1.6 GHz)	Intel® Celeron® processor N2807 (1M cache, up to 1.58 GHz)
Process Technology	32-nm	22-nm
Memory Technology	DDR3 800 up to 2GB	2GB DDR3L onboard
Touch Technology	4-wire resistive touch screen	PCAP touch screen with multi-touch function
Panel Technology	Resolution	WVGA 800 x 480
	Viewing Angles	140° / 110°
Power Requirements	9~28V DC	9~30V DC
IP Rating	IP64	IP65
Dimensions (LxW) (mm)	226 x 140	190 x 127



Enhanced Visual Experiences

2 mm Narrow Bezel for Seamless View

Nothing shows sophistication like a display with a thin bezel. The AFL3 PPC has gone one step further with a narrower bezel and will simply have audiences mesmerized by its contemporary look and feel.



Easy Assembly

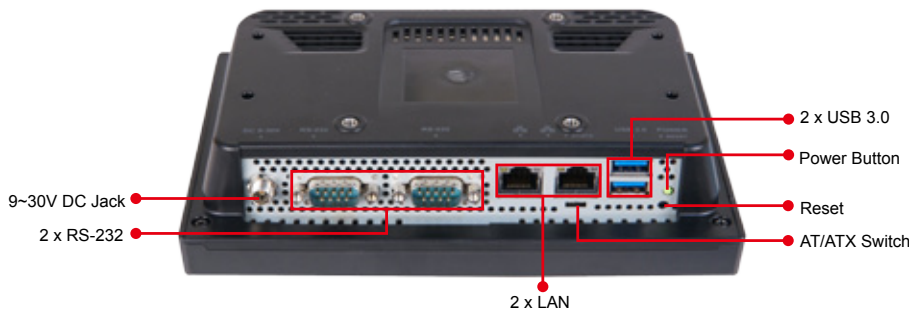


Compact All-in-one Unit for Easy Installation in Small Spaces

The compact slim AFL3 PPC is secured in light weight plastic housing with IP65 certified front panel. The compact size is designed for small-size operator interface applications, such as factory HMI, home automation terminal and digital signage.

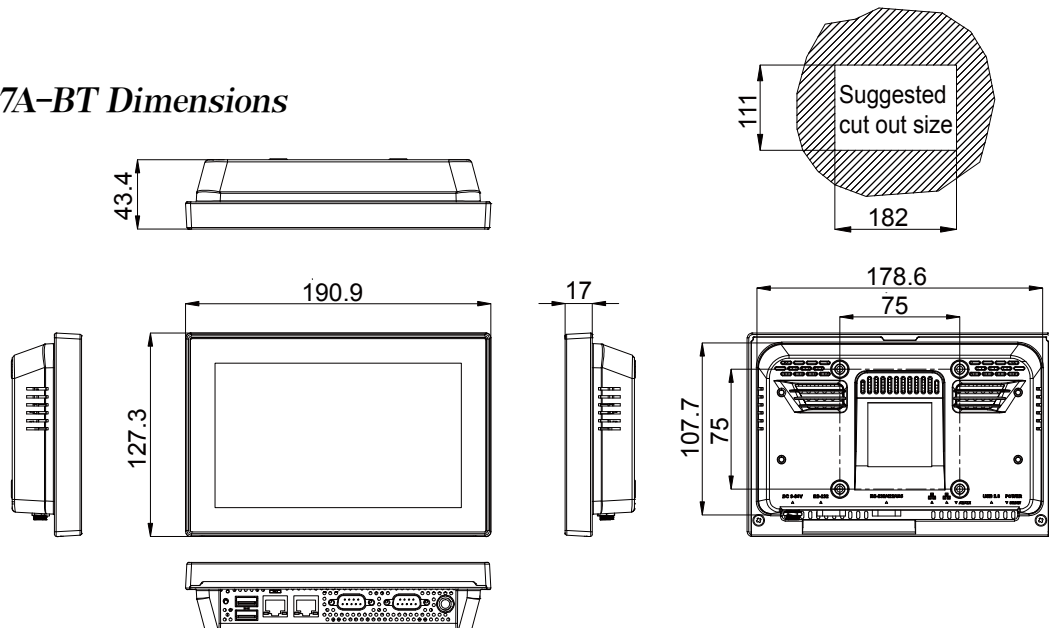


Rich I/O Interface



AFL3-W07A-BT Dimensions

(Unit: mm)



Specifications

Model		AFL3-W07A-BT	
LCD	Size	7"	
	Resolution	1024 x 600	
	Brightness (cd/m ²)	500	
	Contrast Ratio	700:1	
	Pixel Pitch (mm)	0.05(H) x 0.15(V)	
	Viewing Angle (H-V)	150° / 145°	
Touch	Touch Screen	projected capacitive type with USB interface	
	Touch Controller	EETI EXC7200	
System	CPU	Intel® Celeron® N2807 dual core 1.58 GHz	
	RAM	2GB DDR3L Onboard RAM	
	Ethernet	Realtek RTL8111E PCIe GbE controller	
	Audio Codec	Realtek ALC892 HD Audio codec	
	Storage	mSATA	
	Input/Output		1 x RS-232 COM port 1 x RS-232 COM port 2 x USB 3.0 2 x Gigabit Ethernet ports (RJ-45) 1 x Power switch 1 x Reset button 1 x AT/ATX switch 1 x Line-out 1 x 9 V-30 V lockable DC jack
			1 x AMP 2W (internal speaker)
System Cooling		Fanless	
Wireless		IEEE 802.11a/b/g/n/ac 1T1R module	
Physical		Construction Front Bezel	PC + ABS plastic
		Mounting	Wall, Panel, Stand, Rack Mounting (VESA 75 mm x 75 mm)
		Color	Black
	Dimensions (WxHxD)(mm)	190.9 x 127.3 x 43.4	
	Cut-out(WxH)(mm)	182 x 111	
Environment	Operating Temperature (°C) (Ambient with air flow)	-20°C~50°C	
	Storage Temperature (°C)	-20°C~60°C	
	Humidity	10% to 95% (non-condensing)	
	IP Level	IP65 front	
	Safety/EMC	CE/FCC	
	Net Weight (kgs)	0.73	
Power	Power Supply	P/N: 63000-FSP036RAB610-RS 36W power Adapter Input: 90VAC~264VAC, 50/60Hz Output: 12VDC	
	Power Requirement	9 V-30 V DC	

Options

Item	P/N	Description
Panel mounting kit	AFL2PK-08A	
Wall mounting kit	AFLWK-12	
Rack mounting kit	AFL3RK-W07A-R10	
Stand	STAND-B08/STAND-C12-R10	
V-stand	VSTAND-A07-R11	
DC jack to terminal block power converter cable	32002-005500-100-RS	100 mm (A) terminal block, 2P P=5.0(B) Lockable DC plug
OS: Win 8 Embedded (DVD-ROM)	AFL3-W07A-BT-WE8S-R10	
OS: Win 7 Embedded (DVD-ROM)	AFL3-W07A-BT-WES7P-R10	

Packing List

Item	P/N	Q'ty	Description
Utility CD			
Power adapter	63000-FSP036RAB610-RS		36W Power Adapter ;Input: 90VAC~264VAC, 50/60Hz; Output: 12VDC
Power cord	32702-000400-200-RS		Power cord 3P European 250 V 16 A 1.8 m

Ordering Information

Part No.	Description
AFL3-W07A-BT-N1/PC/2G-R10	7" 500 cd/m ² 1024x600 HD fanless panel PC with Intel® Celeron® N2807 dual core 1.58 GHz, 802.11a/b/g/n/ac wireless module, projected capacitive touch screen, on-board 2GB DDR3L RAM, R10