

Panel Pcs

NEW

VIA VIPRO VP7910

Fanless Dual Core Panel
PC with 10.4" TFT LCD and
Touch Screen



Features

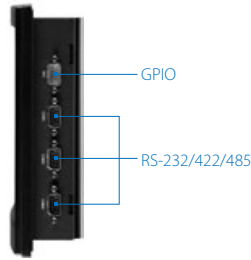
- Built-in VIA Eden™ X2 dual core processor (2MB L2 Cache)
- Built-in VIA VX11H Media System Processor
- Fanless operation at compact, robust and sealed construction
- Supports 5-wire resistive touch sensor
- Supports one mSATA and one hard disk drive bay
- Supports two MinPCie slots and two SIM slots for 3G/WiFi communication
- IP65 front panel compliant against water and dust

Specifications

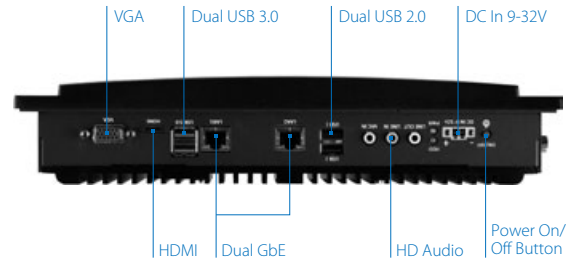
Part Number	VP-7910	
Computing System	Processor	1.0GHz VIA Eden™ X2
	Front Side Bus	800 MHz
	L2 Cache	2MB
	Chipset	VIA VX11H Media System Processor
	BIOS	AMI UEFI BIOS 32Mbit SPI flash memory
	System Power Management	ACPI 3.0 compliant
	System Monitoring	Wake-on LAN, keyboard Power-on, timer Power-on, system power management, AC power failure recovery, Watch Dog Timer
System Memory	Technology	1 x DDR3 1066, 204-pin SDRAM SODIMM socket
	Capacity	Supports up to 8GB memory size Default built-in 2GB DDR3 SODIMM SDRAM, support system operation temperature 0~50°C
Graphic	Controller	Integrated Chrome™ 640 graphics processor with 2D/3D/video acceleration, support MPEG-2 and H.264 video decoder
	Display Memory	Optimized Unified Memory Architecture (UMA) UMA supporting CRT/HDMI/LVDS Supports frame buffer size up to 1GB Optimized Unified Memory
	CRT Interface	1 x Onboard VGA connector
	HDMI Interface	1 x Onboard HDMI type C connector Compatible with HDMI specification version 1.4b
	Dual View	Dual independent display of • LVDS + VGA at different resolutions, pixel depths, and refresh rates • LVDS + HDMI at different resolutions, pixel depths, and refresh rates
	LCD Display	LCD Type
Resolution/Color		800 x 600@ 262K
Pixel Pitch (mm)		0.264 x 0.264
Viewing Angle R/L/U/L		80/80/60/70
Luminance		Typical 230 cd/m2
Touch Screen	Type	5-wire analog resistive, continuous resolution
	Controller	USB interface
Ethernet	Controller	Onboard 2 x PCIe Gigabit Ethernet controllers
	Interface	Supports dual RJ45 connector Supports Wake On LAN (WOL) Supports Pre-boot Execution Environment (PXE)
HD Audio	Controller	VIA VT2021 High Definition Audio Codec
	Interface	Supports Mic-in, Line-in, Speaker-out connectors
USB 3.0	Controller	Integrated universal serial bus controller built-in in VX11 Media System Processor
	Interface	Supports 2 x USB 3.0 ports



Side System I/O



Bottom System I/O



Specifications

Part Number	VP-7910	
USB 2.0	Controller	Integrated universal serial bus controller built-in in VX11 Media System Processor
	Interface	Support 2 USB 2.0 host ports Reserved Onboard 1x5-pin headers, support VIA VNT9271 802.11n WLAN USB Module
Serial	Controller	Onboard Fintek Super I/O F81865 controller
	Interface	3 x RS-232/422/485 by DB-9 connectors of COM1 & COM2 & COM3 BIOS selectable to support adjust functionality of RS-232/422/485 mode of COM1 & COM2 & COM3 5V/12V power selection pin headers onboard for COM1~3
GPIO	General Purpose I/O	Support 1 x 8-bit GPIO + 5V power source (4GPI+4GPO) via D-Sub 9pin connector
Mini PCIe slot	Controller	PCIex1 controller built-in VX11 IGP chipset Integrated USB 2.0 host controller built-in VX11 Media System Processor
	Interface	2 x Mini-PCIe interface, support WLAN/3G modules of: <ul style="list-style-type: none"> • U-Blox ZU200 3.75G UMTS/HSPA mobile boardband module • VIA VNT9485 802.11n WLAN mini card module Supports 3 x external antenna of WLAN, 3G module, GPS module
SIM Slot	Interface	Support 2 SIM slots
mSATA	Controller	Integrated serial ATA 2.0 controller built-in VX11 Media System Processor
	Interface	1 x mSATA interface
Storage	Interface	1 x mSATA slot 1 x SATA port onboard
	System Indicator	Power Status LED 1 x Red color LED HDD Activity LED 1 x Green color LED
Watchdog Timer	Output	System reset
	Interval	Programmable 1~255 sec
Onboard I/O Coastline Connectors	Bottom I/O Coastline Connectors	1 x HDMI Type-C connector 1 x VGA port connector 2 x Gigabit Ethernet connectors 2 x USB 3.0 connectors 2 x USB 2.0 connectors 3 x 3.5Ø Phone Jack connectors as Line-in, Speaker-out, Mic-In 1 x AT/ATX Power On/Off button switch 1 x HDD & PWR LED 1 x DC Power input connector by 2-pole Phoenix connector
	Right side I/O Coastline Connectors	3 x RS232/422/485 by D-sub 9-pin connectors 1 x 8-bit GPIO D-sub 9-pin connector
Power Supply	Power Consumption	Typical 29W
	Input Voltage	9V~32V
	Input Power Protection	Supports over voltage protection Supports over current protection Supports under voltage protection Surge
	Power Adapter	Optional support of external power adapter
Mechanical	Construction	Aluminum mixed with heavy-duty steel
	Dimensions (WxHxD)	300 x 205 x 61 mm (11.8" x 8" x 2.4")
	Weight	3.6 kg (7.9 lbs)
	Mounting	Panel mount/VESA mount/Wall mount

Specifications

Part Number	VP-7910	
Environmental Specification	Operating Temperature	With qualified industrial grade DRAM, Flash Disk drive: -10~50°C With default built in DRAM 0~50°C With 2.5" hard disk drive: 0 ~ 45°C
	Storage Temperature	-10°C ~70 °C
	Relative Humidity	10% ~ 90% @ 45°C, non-condensing
	Front Panel Protection	IP65 compliant
	Vibration Loading During Operation	With mSATA Flash drive: 5Grms, IEC 60068-2-64, random, 5 ~ 500Hz, 1 Oct./min, 1hr/axis
	Shock During Operation	With mSATA Flash drive: 50G, IEC 60068-2-27, half size, 11ms duration
Software Compatibility	EMC Approved	CE, FCC, CCC Class A
	Operation System	Windows7, Windows XP Embedded Standard, Windows Embedded Standard 7, Linux Supports VIA Smart EDK

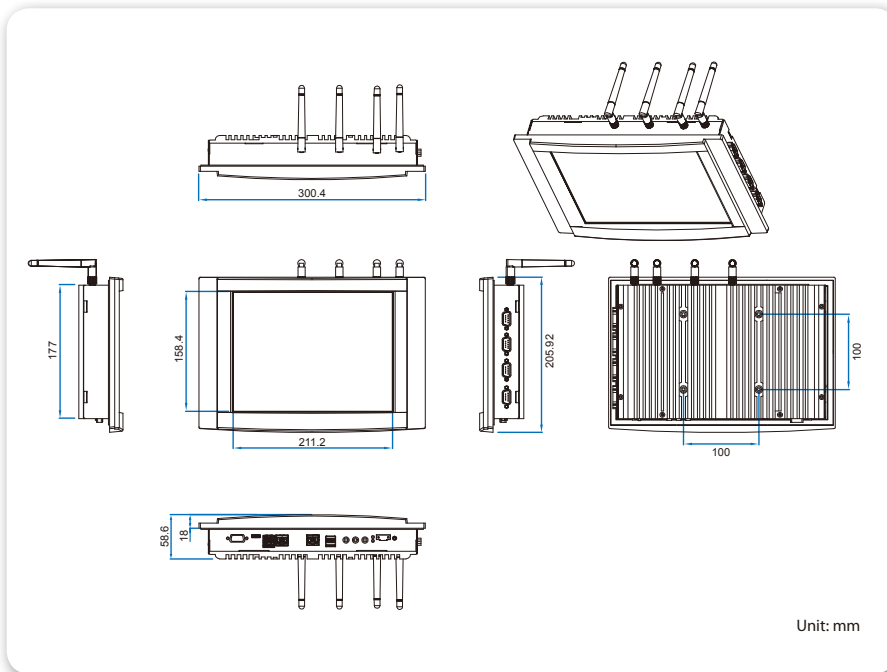
Ordering Information

Part Number	System Built-in CPU	Description
VP-7910-R1D10A1	1.0GHz Eden™ X2	1.0GHz Eden™ X2 Based Fanless 10.4" Touch Panel PC, with Resolution 800 x 600 LCD

Optional Accessories

External AC-to-DC Adapter and Power Cable	
Part Number	Description
99G63-020316	AC-to-DC adapter, 2-pole, DC 12V/5A, 60W
99G33-02032C	Power cord, 180 cm, USA type
99G33-02034C	Power cord with PSE mark, 180 cm for Japan market
99G33-02033C	Power cord, 180 cm, Europe type

Dimensions



Packing List

- 1 x VESA mount bracket
- 1 x screw pack for VESA mounting
- 1 x power cable, 2-pole phoenix plug to DC-Jack