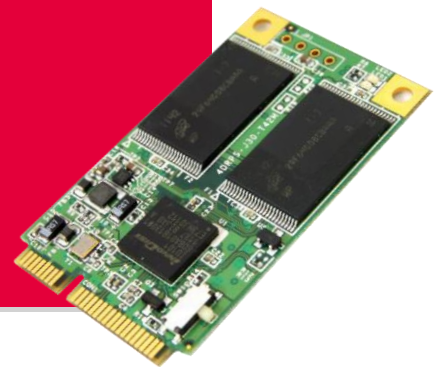


Datasheet

mSATA

2IE series

- iSLC technology
- iSMART disk health monitoring
- Intelligent error recovery system
- Excellent data transfer speed
- Write protection security
- Zero mechanical interference
- Anti-vibration mechanical design
- JEDEC standard MO-300 dimension
- Enhanced power cycling management



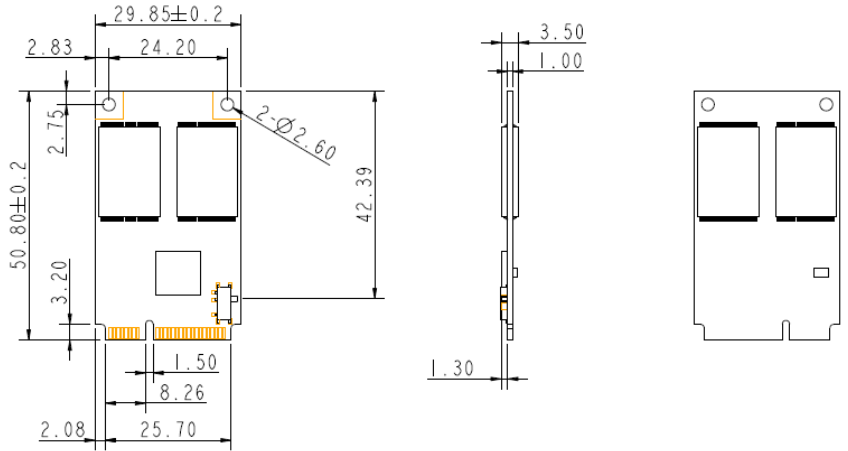
Introduction

iSLC [2IE series], designed to outdo the endurance, performance and reliability of MLC-based solutions. Through the use of flash management algorithms, iSLC improves SSD endurance up to 30,000 times, increasing lifespans up to 10 times longer than MLC-based solutions. In addition, iSLC improves the performance of solid state drives, with similar write performance of SLC-based solutions, and with data quality that is on par with SLC technologies. The InnoDisk iSLC series is cost efficient, boasting excellent benefits at only half the price of SLC-based solutions.

mSATA

2IE series

Diagram



Contact us for more information about the mSATA 2IE.

Innodisk is a service-driven provider of industrial embedded flash and DRAM storage products and technologies, with a focus on the cloud computing, industrial/embedded, and aerospace and defense industries.

Headquarters (Taiwan)

9F., No.100, Sec. 1, Xintai 5th Rd.,
Xizhi Dist., New Taipei City,
Taiwan (R.O.C.)
Tel: +886-2-26963000
Email: sales@innodisk.com

Branch Offices:

USA
usasales@innodisk.com
+1-510-770-9421
Europe
eusales@innodisk.com
+31-040-282-2382
Japan
jpsales@innodisk.com
+81-3-6661-9846
China
sales_cn@innodisk.com
+86-755-21673689
www.innodisk.com

© 2012 Innodisk Corporation.
All right reserved. Specifications
are subject to change without
prior notice.

20130110

Specifications

Interface	SATA II
Flash Type	iSLC
P/E cycle	30,000
Capacity	8GB~64GB
Max. Channels	4
Sequential R/W (MB/sec, max.)	125 / 120
Max. Power Consumption	1.4 W (3.3V x 430 mA)
Thermal Sensor	√
H/W Write Protect	√
i-Socket	-
Pin7 Power	N/A
ATA Security	Supported
S.M.A.R.T.	Supported
Dimension (WxLxH)	29.8 X 50.8 X 3.5 mm
Environment	Vibration: 20G @7~2000Hz Shock: 1500G @ 0.5ms Storage Temperature: -55°C ~ +95°C MTBF: 3 million hours

Ordering Information

Operation Temp.	8GB	16GB	32GB	64GB
Standard Grade (0°C ~ +70°C)	DHMSR-08GJ301C1QN	DHMSR-16GJ301C1QN	DHMSR-32GJ301C1QN	DHMSR-64GJ301C1QN