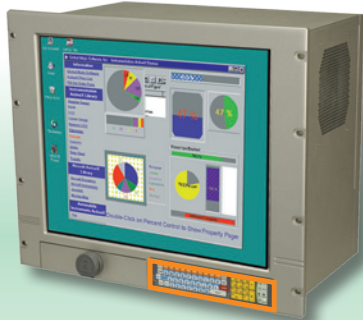


# Display Workstation Solutions

IEI industrial workstations are PCs with built-in touch screens. The workstations use either a micro-ATX motherboard or a backplane with a CPU card.



>> Industrial Workstation Series

## Features

- Excellent expansion capability for full/half size CPU cards
- Compact die-cast aluminum front panel and integrated LCD back frame
- Front panel, membrane keys, mouse pad and drive-bay enclosure meet IP 64 / IP 65 standard for tough environment



>> Rack mount Workstation Series

Backplane



Full Size/Half Size SBC



Product Line		WS-series	RPC-series
		IP 64 Waterproof Workstation with Membrane Keypads	Easy Rackmount Workstation with OSD Functions
LCD Size		Model / Mechanism	
6.5"	640 x 480		EC-1040G (4U 14-slot full-size)
8.4"	800 x 600		RPC-6010G (4U 14-slot full-size)
10.4"	800 x 600	WS-612GS (6U 7-slot)	
12.1"	1024 x 768	WS-843GS (7U 10-slot)	RPC-6022G (5U 14-slot)
15"	1024x 768	WS-855GS (8U 10-slot/m-ATX MB)	
17"	1280 x 1024	WS-875GS (9U 10-slot/m-ATX MB)	

## Industrial Workstation Series

10.4" ~ 17" IP 64 Waterproof Workstation: Robust, Shock Resistant



## Features

1. Die-cast aluminum front panel with integrated LCD screen
2. New robust chassis and retention kit structure for shock and vibration
3. Front panel, membrane keys, mouse pad and drive-bay enclosure meet IP 64 standard for tough environment
4. Full function membrane keys and submerged OSD controller
5. Advanced thermal and air-flow design
6. Analog VGA interface supports all CPU boards

# Features

## IP 64 waterproof front panel, membrane keys, mouse pad & drive-bay

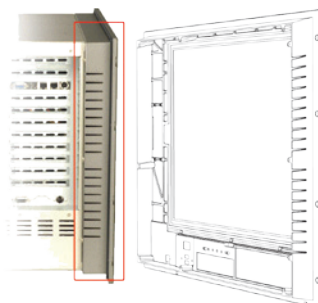
The industrial workstation's front cover is IP 64 compliant. The front cover is completely protected against the entry of dust and water sprayed from any direction.



Water Proof key lock and drive bay cover

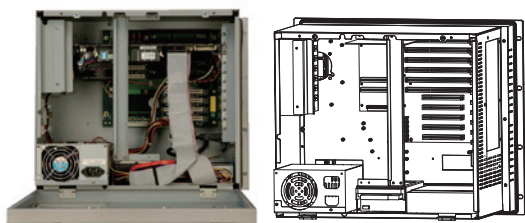
## Compact die-cast aluminum front panel and integrated LCD back frame

Rack or wall mount systems always apply the whole system weight on the front bezel and LCD container. One piece design has higher strength and lighter weight because of aluminum die casting.



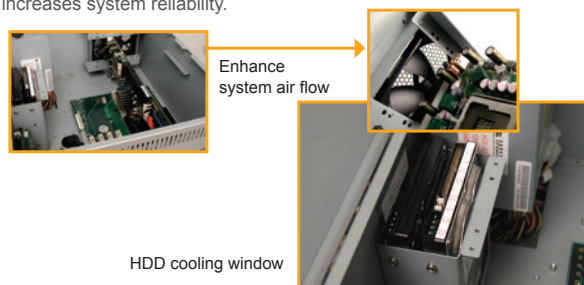
## New robust chassis and retention kit structure to against shock and vibration

The whole chassis and retention kit are designed to be sturdy and rugged. The whole chassis has less joints and connections to increase resistance to shock and vibration.



## Enhanced thermal management

Built-in fans and hard drive cooling ensure that temperatures stay within operating range at all times. This extends product life and increases system reliability.

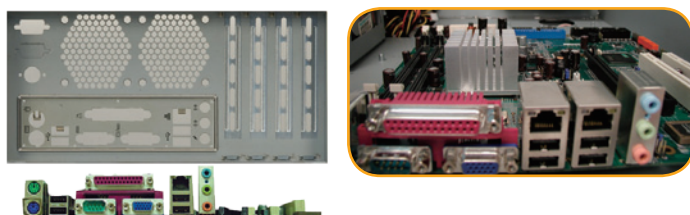


Enhance system air flow

HDD cooling window

## CPU card and Micro-ATX support

The WS-855GS, WS-875GS and WS-895GS can support MicroATX motherboards. MicroATX motherboards are widely used and offer a larger range of options to suit the needs of the system.



## Optional RS-232 interface touch screen

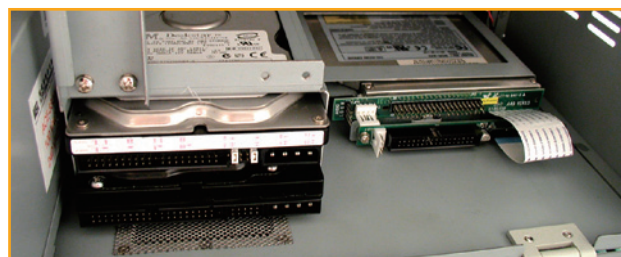
The WS series provides an RS-232 port reserved for touch screen. IEI Workstation provides T-R model with high strength Fiber Glass Touch Screen applications.



Optional RS-232 port

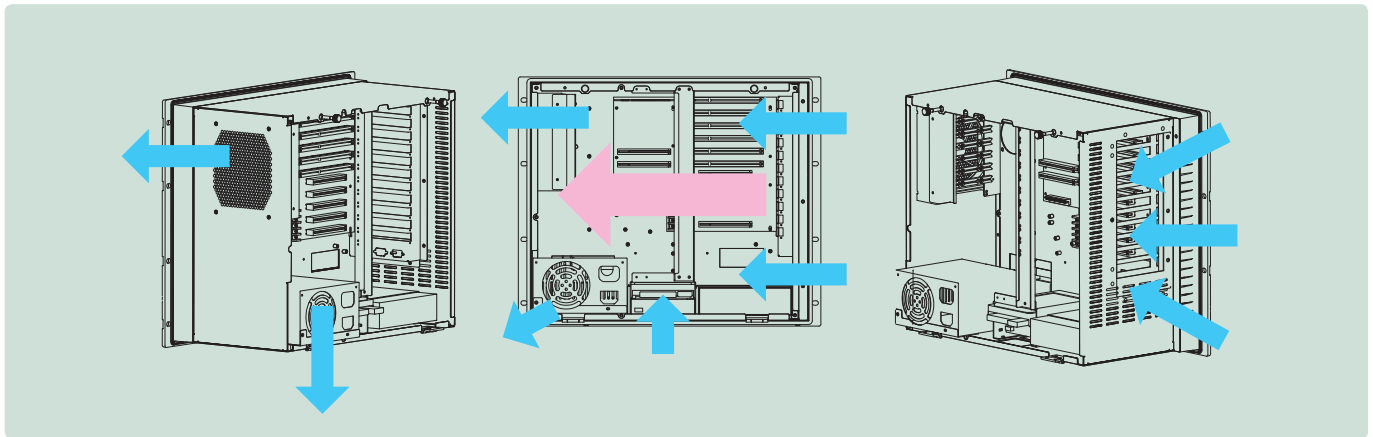
## Complete drive support

The industrial workstations support 3.5" and 5.25" drives, and a floppy drive.



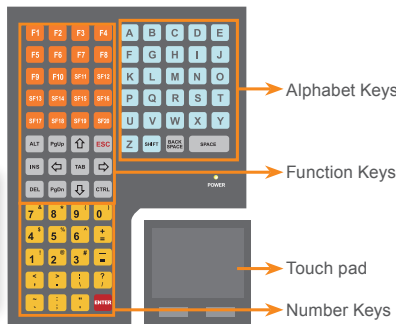
## Advanced thermal and air-flow design

Thermal issues are an important issue for modern industrial PCs. The industrial workstation is designed so air flows through the computer, fresh, cool air in the one side, and warm air out the other.

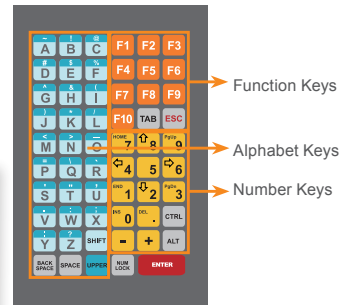


## Full function Membrane keys & submerged OSD controller

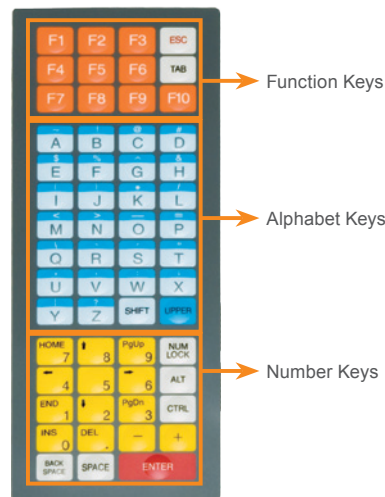
### • WS-612GS



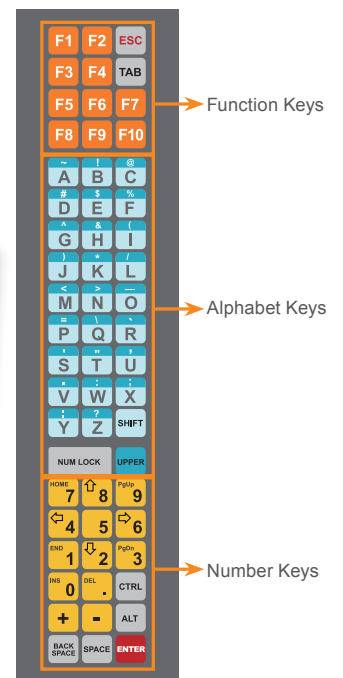
### • WS-843GS



### • WS-855GS



### • WS-875GS

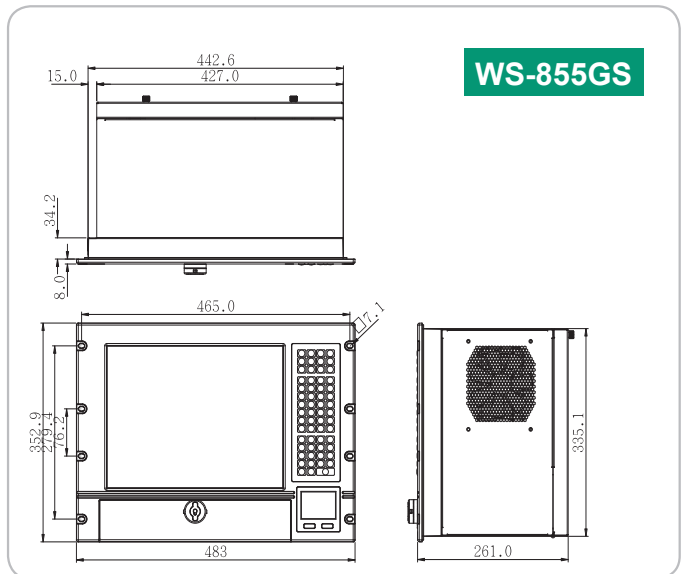
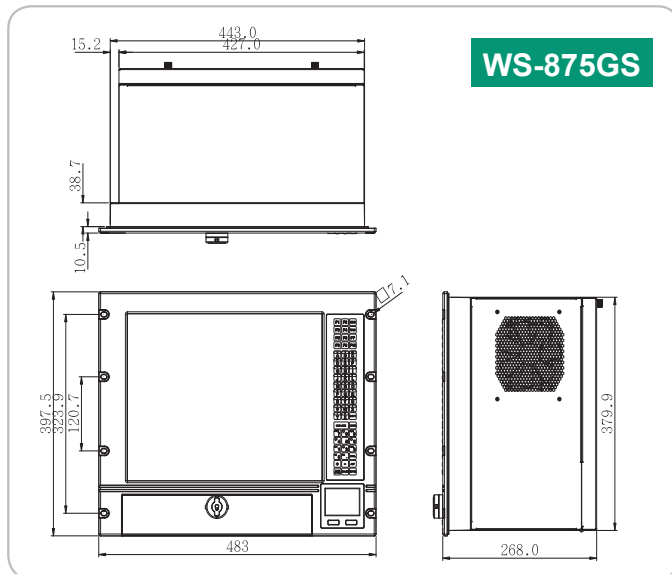
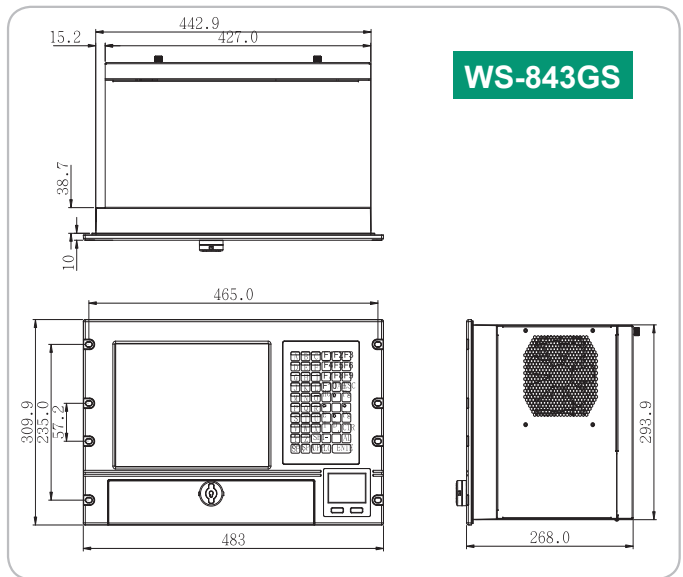
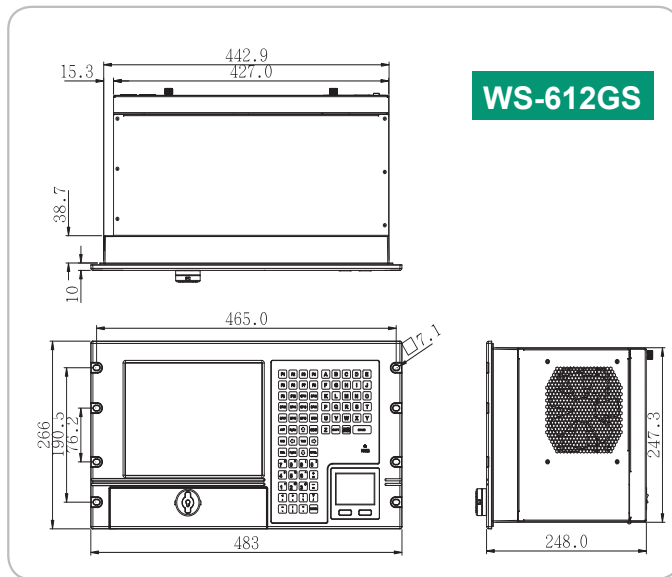


# Industrial Workstation Selection Guide



Model	WS-612GS	WS-843GS	WS-855GS	WS-875GS
LCD Size	10.4"	12.1"	15"	17"
Resolution	800 x 600	1024 x 768	1024 x 768	1280 x 1024
Brightness (cd/m <sup>2</sup> )	400	500	350	300
Contrast	700:1	700:1	400:1	500:1
LCD color	262K	262K	262K	16.2M
Backlight Hours	50000 (LED Backlight)	50000 (LED Backlight)	50000	50000
Input Interface	Analog VGA (DB-15)			
Slot	7 slots	10 slots	10 slots / MB	10 slots / MB
Form Factor	Full / half size SBC		Full / half size SBC / m-ATX motherboard	
Mounting	19" rack mount			
Rack Height	6U	7U	8U	9U
Front Frame	Aluminum			
IP Level	IP 64			
Keypad	63 Keys	59 Keys	59 Keys	59 Keys
Function Key	20 Keys	10 Keys	10 Keys	10 Keys
Touch Pad	Yes			
Front Panel USB	4	2	2	2
HDD Drive Bay	1 x 3.5" HDD	1 x 3.5" HDD	1 x 3.5" HDD	1 x 3.5" HDD
CD-ROM Drive Bay	N/A	1 x 5.25" CD-ROM	1 x 5.25" CD-ROM	1 x 5.25" CD-ROM
FDD Bay	1 x 3.5" FDD	1 x 3.5" FDD	1 x 3.5" FDD	1 x 3.5" FDD
System Fan	12cm ball bearing 99.6 CFM fan			
Touch Screen	5-wire resistive touch screen			
Vibration	5 ~ 17 Hz, 0.1" double amplitude displacement / 17~640 Hz, 1.5G acceleration peak to peak			
Shock	10G acceleration peak to peak (11ms)			
Relative Humidity	5 ~ 95%, non-condensing			
Operating Temperature	0°C ~ 50°C			
Color	Silver (Pantone PMS-8001)			
Dimensions (W x H x D) (mm)	483 x 266 x 248	483 x 310 x 268	483 x 353 x 261	483 x 398 x 268
Weight (NW / GW)	9.2 / 14.4 kg	10.7 / 17.2 kg	12 / 18.2 kg	14.2 / 20.6 kg
Recommended Backplane	PCI-7S, IP-7S, BP-7S, PCIAGP-6S, HPE-7S1, PE-6S/7S, PE-7S2	PCI-10S/10S2, PX-10S, PE-10S, IP-10S, IPX-9S, BP-10S, HPE-7S1/8S, PE-6S / 7S / 7S2 / 8S / 9S /10S		
Recommended microATX MB	N/A		IMB-9454, IMB-G41A	
Power Supply	ACE-916A(AP)-RS (AT), ACE-A618A-RS-R11, ACE-4520C-RS, ACE-A225A-R10, ACE-815C(T)-RS, ACE-615A-RS-R11	AT: ACE-925A(AP/AP-U/M)-RS, ACE-932A-RS, ACE-935AL-RS, ACE-T140A-RS, ATX: ACE-4860AP-RS, ACE-828A(A/M/V)-RS, ACE-A130A-R10, ACE-A140A-R10, ACE-A140A-S-R10, ACE-A160A-R10		

Dimensions (Unit: mm)



Ordering Information

Part NO	Description
WS-612GS / A225A / R-R20	6U 10.4" 400cd/m <sup>2</sup> SVGA LCD 8-slot industrial workstation, aluminum front, silver color, W/ACE-A225A, W/10.4" touch screen, RoHS
WS-843GS / A130A / R-R20	7U 12.1" 500cd/m <sup>2</sup> XGA LCD 10-slot industrial workstation, aluminum front, silver color, W/ACE-A130A/12.1" touch screen, RoHS
WS-855GS / A130A / R-R20	8U 15" 350cd/m <sup>2</sup> XGA LCD 10-slot industrial workstation with ACE-A130A-R10 300W ATX with PFC power supply and 15" resistive touch screen, RoHS
WS-855GSATX / A130A / R-R20	8U m-ATX 15" 350cd/m <sup>2</sup> XGA LCD workstation with ACE-A130A-R10 300W ATX with PFC power supply and 15" resistive touch screen, M-ATX version
WS-875GS / A130A / R-R20	9U 17" 300cd/m <sup>2</sup> SXGA TFT LCD workstation with ACE-A130A-R10 300W ATX with PFC power supply and 17" resistive touch screen
WS-875GSATX / A130A / R-R20	9U 17" 300cd/m <sup>2</sup> SXGA LCD workstation with ACE-A130A-R10 300W ATX with PFC power supply and 17" resistive touch screen, M-ATX version

Packing List

Part Number	Description	Amount	Remark
32000-000002-RS	AC Power Cable	1	Standard Packing, for Europe, 32000-000004-RS for South Africa 32000-000022-RS for Australia, 32000-000025-RS for America 32000-000026-RS for Switzerland
32000-101200-RS	VGA Cable	1	A)D-SUB 15P MALE 90°(B)D-SUB 15PIN MALE
32100-034801-RS	PS_ON Cable for ATX signal	1	
41015-0003C0-00-RS	Press Stick Kit (Long)	4	
41015-0004C0-00-RS	Press Stick Kit (Short)	3	
47001-000101-RS	Press Stick Rubber	7	
	User Manual	1	
32000-075000-RS	KeyPad / MousePad PS/2 Cable	1	For SBC Models
32000-078400-RS	KeyPad / MousePad PS/2 Cable	1	For m-ATX (Motherboards) Models
32000-101100-RS	RS-232 Cable / Touch Pen / Driver CD-ROM for Touch Screen	1	(A)D-SUB 9P MALE 90°(B)D-SUB 9PIN FEMALE