

## Embedded Systems

### VIA VIPRO VP7815

Fanless Panel PC with 15" TFT LCD and Touch Screen



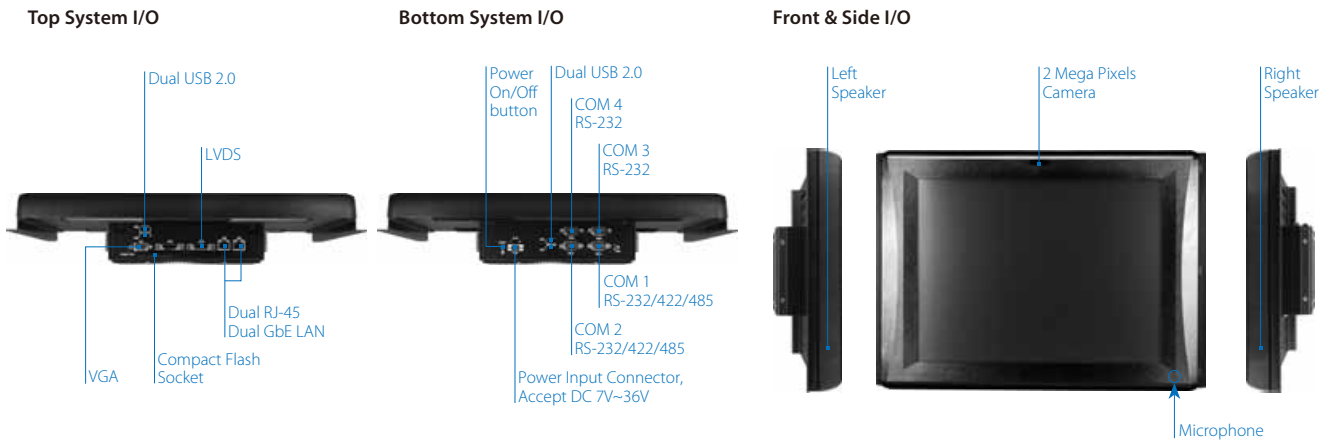
#### Features

- Fanless and ultra low power consumption
- Built-in VIA new generation of 1.3GHz Nano™ E processor with L2 cache 1MB memory
- 15" TFT LCD panel with 5-wire resistive touch screen
- Built-in 2M CMOS camera, speakers and microphone on the front
- Integrated VIA Chrome9™ HC3 DX9 3D/2D graphics & video processor with MPEG-2 and WMV9 decoding acceleration
- Supports two Gigabit Ethernets, four COM ports and four USB 2.0 ports
- IP65 front panel compliant against water and dust



#### Specifications

Model Name		VIPRO VP7815
Computing System	Processor	1.3GHz VIA Nano™ E
	Front Side Bus	800 MHz
	L2 Cache	1 MB
	Chipset	VIA VX800 Unified Digital IGP chipset
	BIOS	Award 8MBit SPI Flash BIOS Supports Diskless Boot to BIOS ROM (Free DOS operation system environment)
	Power Management	Times Power on, ACPI supported
Memory	Technology	1 x DDR2 533/667 200-pin SDRAM SODIMM socket
	Max. Capacity	Up to 2GB memory size
Graphic	Controller	Integrated VIA Chrome9™ HC3 DX9 3D/2D graphics & video processor with MPEG-2 WMV9 decoding acceleration
	Display Memory	Optimized shared memory architecture, supports up to 256 MB frame buffer using system memory
	External Display interface	Supports 1 x External VGA port by a DB-15 connector Supports 1 x 24-bit signal channel LVDS interface by a DB-26 connector
LCD Display	LCD Type	15" color TFT LCD panel, LED driving
	Resolution/Color	Up to 1024 x 768 @262K
	Pixel Pitch (mm)	0.297 x 0.297
	Viewing Angle	80° (right), 80° (left), 80° (up) and 60° (down)
	Luminance (cd/m <sup>2</sup> )	350 cd/m <sup>2</sup>
	LED Backlight MTBF	50,000 hours (typical)
Touch Screen	Type	5-Wire Analog resistive      5-Wire Analog capacitive
	Transparency	80% ± 3%                              95% ± 3%
	Controller	USB interface controller      USB interface controller EETI ETP-CP-S5XU                  ETP-MB-ESCAP7000
	Software Driver	Supports Windows XP, and Windows 7
	Durability (Knock Test)	35 million times                      200 million times
Ethernet	Controller	Built-in system two VIA VT6130 Gigabit Ethernet controllers
	Interface	Supports two RJ45 connectors, Supports Wake-on LAN (WOL), Supports Preboot Execution Environment (PXE)
Audio	Controller	VIA VT1708B High Definition Audio Codec
	External Speakers	Supports 2 x speakers on left and right edge of front bezel
	External Microphone	Supports microphone on lower site of front bezel
Serial	USB	4 x USB ports, USB 2.0 compliant
	Serial Ports	4 x COM ports of 2 x RS-232 & 2x RS-232/422/485 (BIOS selectable)
Storage	HDD	1 x 2.5" drive bay
	Compact Flash	1 x Type I /II socket
System Indicator	Power Status LED	1 x Green color LED
	HDD Activity LED	1 x Red color LED



## Specifications

<b>Model Name</b>	<b>VIPRO VP7815</b>		
<b>Other</b>	<b>Camera</b>	Built-in a 2 Mega Pixels AutoFocus CMOS camera on the front bezel	
<b>Watchdog Timer</b>	<b>Output</b>	System reset	
	<b>Interval</b>	Programmable 1~255 sec	
<b>System I/O</b>	<b>Top I/O Coastline on PC Unit</b>	1 x DB-15 connector for a VGA/CRT interface 2 x USB mini-DIN connectors 1 x DB-26 connector for a 24-bit single channel LVDS interface 2 x RJ45 connectors for dual Gigabit Ethernet connection	
	<b>Bottom I/O coastline on PC Unit</b>	1 x HDD & PWR LED 2 x RS-232/422/485 COM port connectors as COM 1 and COM2 2 x RS-232 COM port connectors as COM3 and COM4 2 x USB mini-DIN connectors 1 x 2-pole of Phoenix power input connector 1 x ATX power on/off switch	
<b>Power Supply</b>	<b>Input Voltage</b>	Built-in onboard DC-to-DC converter Accept wide range of power input of DC 7V ~ 36V Typical power input 7 VDC @ 2.64 A                      19 VDC @ 0.97 A                      36 VDC @ 0.51 A 12 VDC @ 1.54 A                      24 VDC @ 0.77 A	
	<b>Input Power Protection</b>	Supports over voltage protection, over current protection, under voltage protection	
<b>Mechanical</b>	<b>Construction</b>	Aluminum mixed with heavy-duty steel	
	<b>Mounting</b>	Panel/wall/table mountable	
	<b>Dimensions</b>	400mm (W) x 303mm (H) x 80.96mm (D) (15.7" x 11.9" x 3.18")	
	<b>Weight</b>	5 kg ( 11 lbs )	
<b>Environmental Specification</b>	<b>Operating Temperature</b>	0°C ~ 45 °C for HDD, -20 ~ 60°C for CF	
	<b>Storage Temperature</b>	-20°C ~ 70 °C	
	<b>Relative Humidity</b>	0 ~ 90% @ 45°C, non-condensing	
	<b>Vibration Loading During Operation</b>	When system is equipped with 2.5" hard disk drive: up to 1Grms When system is equipped with Compact Flash disk: up to 5Grms IEC 60068-2-64, random, 5 ~ 500Hz, 1 Oct./min, 1hr/axis	
	<b>Shock During Operation</b>	When system is equipped with 2.5" hard disk drive: up to 20G When system is equipped with Compact Flash disk: up to 50G IEC 60068-2-27, half size, 11ms duration	
	<b>Front Panel Protection</b>	IP65 compliant	
	<b>EMC Approved</b>	CE, FCC Class A	
<b>Software Compatibility</b>	<b>Front Panel Protection</b>	IP65 compliant	
	<b>Operation System</b>	Microsoft Widows XP, Windows 7, Windows XP Embedded, Windows Embedded Standard 7, Debian 6 (Kernel 2.6.32)	

## Ordering Information

Part Number	System Built-in CPU	Description
VP-7815-R1N13A2	1.3GHz Nano™ E	1.3GHz Nano™ E CPU Based Fanless 15" Resistive Touch Panel PC, with VGA, LVDS, 4 x USB 2.0, 4 x COM, 2 x GbE, Microphone, 2Mega Pixels Camera, Left/Right Speakers, DC-in 7~36V
VP-7815-C1N13A2	1.3GHz Nano™ E	1.3GHz Nano™ E CPU Based Fanless 15" Capacitive Touch Panel PC, with VGA, LVDS, 4 x USB 2.0, 4 x COM, 2 x GbE, Microphone, 2Mega Pixels Camera, Left/Right Speakers, DC-in 7~36V

## Ordering Information

Part Number	System Built-in CPU	Description
VP-7815-R2N13A2	1.3GHz Nano™ E	1.3GHz Nano™ E CPU Based Fanless 15" Resistive Touch Panel PC, with VGA, LVDS, 4 x USB 2.0, 4 x COM, 2 x GbE, Microphone, 2Mega Pixels Camera, Left/Right Speakers, DC-in 7~36V, Black Front Bezel
VP-7815-C2N13A2	1.3GHz Nano™ E	1.3GHz Nano™ E CPU Based Fanless 15" Capacitive Touch Panel PC, with VGA, LVDS, 4 x USB 2.0, 4 x COM, 2 x GbE, Microphone, 2Mega Pixels Camera, Left/Right Speakers, DC-in 7~36V, Black Front Bezel
VP-7815-R3N13A2	1.3GHz Nano™ E	1.3GHz Nano™ E CPU Based Fanless 15" Resistive Touch Panel PC, with VGA, LVDS, 4 x USB 2.0, 4 x COM, 2 x GbE, Left/Right Speakers, DC-in 7~36V, Black Front Bezel, w/o Microphone-In, 2Mega Pixels Auto-Focus Camera
VP-7815-C3N13A2	1.3GHz Nano™ E	1.3GHz Nano™ E CPU Based Fanless 15" Capacitive Touch Panel PC, with VGA, LVDS, 4 x USB 2.0, 4 x COM, 2 x GbE, Left/Right Speakers, DC-in 7~36V, Black Front Bezel, w/o Microphone-In, 2Mega Pixels Auto-Focus Camera

## Optional Accessories

\*Note: The optional accessories may have minimum ordering quantity limitation. Please contact VIA Sales representative for more details.

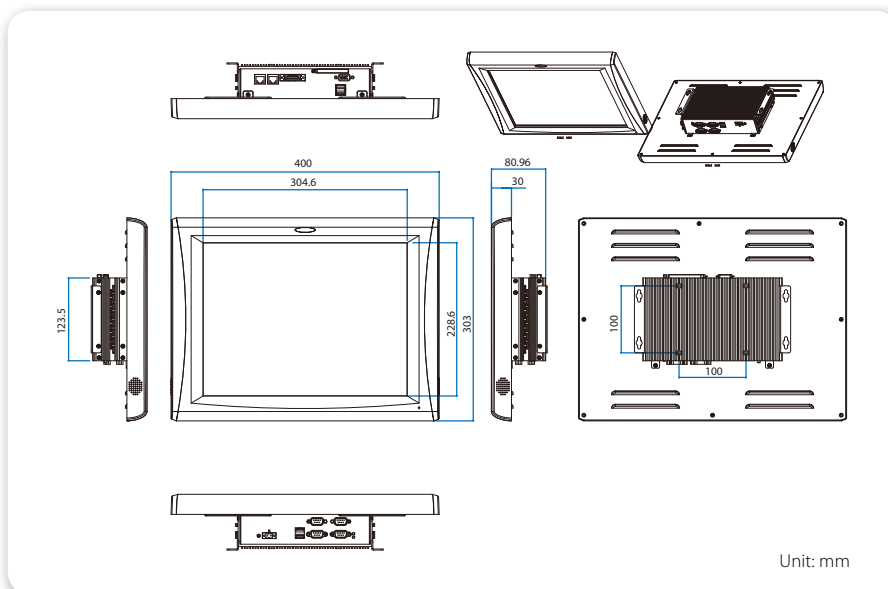
External AC-to-DC Adapter and Power Cable	
Part Number	Description
99G63-020246	AC-to-DC adapter, DC 19V/90W with 2-pole Phoenix power plug
99G33-02032C	Power cable, 180 cm, USA type
99G33-02033C	Power cable, 180 cm, Europe type

Embedded OS (Only available for T-Parts OEM service)	
Part Number	Description
POS-MEXSLI-ENS07	Windows XP Embedded Standard Image & License For VP7815 Resistive English Version
POS-MEXSLI-ENS08	Windows XP Embedded Standard Image & License For VP7815 Capacitive English Version
POS-ME7SLI-ENS07	Windows Embedded Standard 7 32-bit Image & License For VP-7815 Resistive English Version,(Require minimum 4G Compact Flash)
POS-ME7SLI-ENS08	Windows Embedded Standard 7 32-bit Image & License For VP-7815 Capacitive English Version,(Require minimum 4G Compact Flash)

Embedded OS (Only available for T-Parts OEM service)	
Part Number	Description
POS-DLNXLI-ENS07	Linux Debian 6 (Kernel 2.6.32) Image & License For VP-7815 Resistive English Version
POS-DLNXLI-ENS08	Linux Debian 6 (Kernel 2.6.32) Image & License For VP-7815 Capacitive English Version

RAM Module, Flash Disk, and 2.5" Hard Disk Drive	
Part Number	Description
99G06-010598	2GB DDR2 800MHz, 128Mx8 SDRAM SODIMM, industrial grade, 0 ~ 85°C
99G06-010588	1GB DDR2 800MHz, 128Mx8 SDRAM SODIMM, industrial grade, 0 ~ 85°C
99G61-060011	1GB Compact Flash Disk, industrial grade, -40°C ~ 85°C
99G61-060021	2GB Compact Flash Disk, industrial grade, -40°C ~ 85°C
99G61-060031	4GB Compact Flash Disk, Innodisk, industrial grade, -40°C ~ 85°C

## Dimensions



## Packing List

- 1 x VP-7815 unit
- 2 x Wall-mount bracket
- 2 x Panel-mount bracket
- 1 x Power cable, 2-pole Phoenix plug to DC-Jack
- 1 x Tube of Syringe with 0.5cc thermally conductive dispensable gel