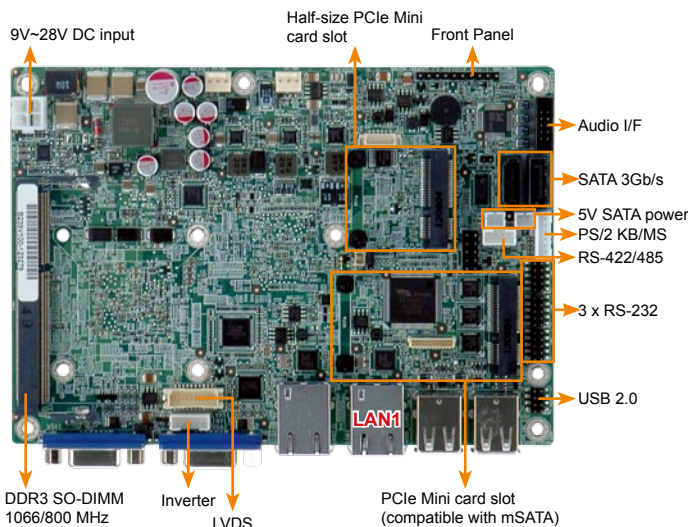


# epic NANO-CV-D25502-N26002

EPIC SBC with Intel® Atom™ D2550 1.86GHz/N2600 1.6GHz, DDR3, Dual VGA/LVDS, Dual GbE, USB 2.0, Dual PCIe Mini, SATA 3Gb/s, mSATA and Audio

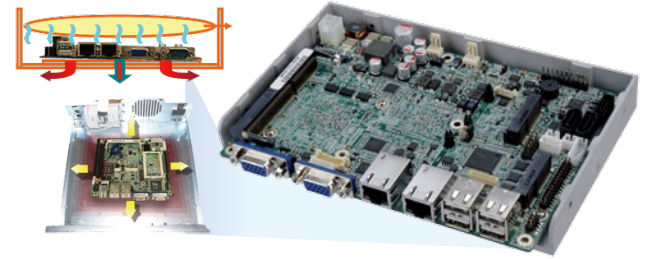


## Specifications

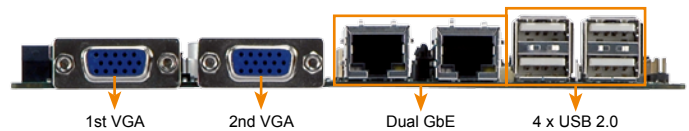
- ◆ CPU
  - Intel® dual core Atom™ D2550 1.86GHz processor
  - Intel® dual core Atom™ N2600 1.6GHz processor
  - Intel® dual core Atom™ N2800 1.86GHz processor (optional)
- ◆ Chipset
  - Intel® NM10
- ◆ BIOS
  - UEFI BIOS
- ◆ Memory
  - 1 x 1066MHz DDR3 SO-DIMM supporting up to 4GB (for D2550 and N2800)
  - 1 x 800MHz DDR3 SO-DIMM supporting up to 2GB (for N2600)
- ◆ Graphics Engine
  - GMA 3650 at 640MHz graphics core speed (for N2550 and N2800)
  - GMA 3600 at 400MHz graphics core speed (for N2600)
- ◆ Display Output
  - 1st VGA integrated in the CPU (up to 1920 x 1200 @60Hz)
  - 2nd VGA driver via the NXP PTN3392 (up to 1920 x 1200 @60Hz)
  - LVDS1 integrated in the CPU
  - Single-channel 24-bit LVDS by D2550, resolution support up to 1440x900 @60Hz
  - Single-channel 18-bit LVDS by N2600 and N2800, resolution support up to 1366x768 @60Hz
- ◆ Ethernet
  - Dual PCIe LAN controller by Realtek RTL8111E with ASF 2.0 support
- ◆ Super I/O
  - Fintek F81866
- ◆ I/O interface
  - 3 x RS-232
  - 1 x RS-422/485
  - 1 x 6-pin wafer for PS/2 KB/MS
  - 6 x USB 2.0 (4 on rear, 2 by pin header)
  - 2 x SATA 3Gb/s with SATA 5V power connector (SATA1 and mSATA shares SATA signal)
- ◆ Audio
  - Realtek ALC662 HD codec (Line-in, Line-out, Mic)
- ◆ Expansions
  - 1 x full-size PCIe Mini card slot with mSATA support (SATA1 and mSATA shares SATA signal)
  - 1 x half-size PCIe Mini card slot
- ◆ Watchdog Timer
  - Software programmable supports 1~255 sec. system reset
- ◆ Digital I/O
  - 8-bit programmable I/O
- ◆ Fan Connector
  - 1 x 4-pin CPU fan connector
  - 1 x 3-pin system fan connector
- ◆ Power supply
  - 9 ~ 28V, AT/ATX support
- ◆ Power Consumption
  - 12V@1.59A (Intel® dual core D2550 CPU with 1333MHz 4GB DDR3 memory)
  - 12V@1.23A (Intel® dual core N2600 CPU with 1333MHz 4GB DDR3 memory)
- ◆ Operating Temperature
  - 20°C ~ 60°C with free air, -20°C ~ 70°C with force air for D2550 processor
  - 20°C ~ 70°C with free air, -20°C ~ 75°C with force air for N2600/N2800 processor
- ◆ Operating Humidity
  - 5% ~ 95%, non-condensing
- ◆ Dimensions
  - 115 mm x 165 mm
- ◆ Weight
  - GW: 850g/NW: 350g

## The innovation of thermal solution for EPIC

NANO-CV-D25502/N26002 is the first IEI EPIC board to be implemented enclosure heatsink for easy fanless assembly solution.



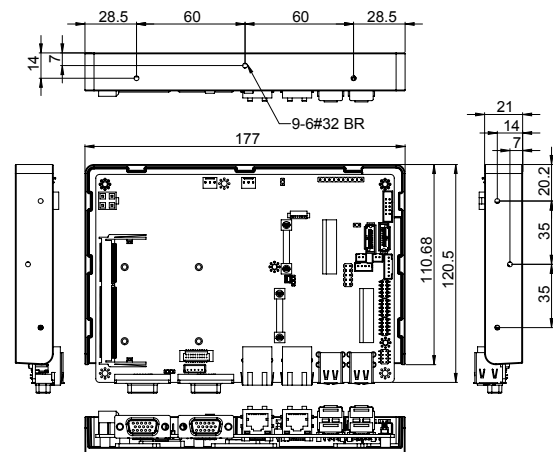
Most of the heat will be spread to by whole system surface



## Features

1. EPIC form factor with Intel® Atom™ dual core D2550 1.86GHz/N2600 1.6GHz processor supporting DDR3 memory
2. Dual display support by dual VGA and 18/24-bit single channel LVDS
3. 1066/800MHz DDR3 SO-DIMM supported up to 4GB
4. Thermal design for easy assembly by enclosure heatsink
5. Wide power voltage range by 9V ~ 28V support
6. IEI One Key Recovery solution allows you to create rapid OS backup and recovery

## Dimensions (Unit: mm)



## Packing List

1 x NANO-CV-D25502/N26002 single board computer	
1 x SATA with 5V output cable kit (P/N: 32801-000201-100-RS)	
1 x Audio cable (P/N: 32000-072100-RS)	1 x One Key Recovery CD
1 x Power cable (P/N: 32100-087100-RS)	1 x Mini jumper pack
1 x RS-232 cable (P/N: 32205-002700-100-RS)	1 x Utility CD
1 x Enclosure heatsink	1 x QIG (Quick Installation Guide)

## Ordering Information

Part No.	Description
NANO-CV-D25502-R10	EPIC SBC with Intel® Atom™ D2550 1.86GHz, DDR3, dual VGA/LVDS, dual GbE, USB 2.0, dual PCIe Mini, SATA 3Gb/s, mSATA and Audio
NANO-CV-N26002-R10	EPIC SBC with Intel® Atom™ N2600 1.6GHz, DDR3, dual VGA/LVDS, dual GbE, USB 2.0, dual PCIe Mini, SATA 3Gb/s, mSATA and Audio
NANO-CV-N28002-R10	EPIC SBC with Intel® Atom™ N2800 1.86GHz, DDR3, dual VGA/LVDS, dual GbE, USB 2.0, dual PCIe Mini, SATA 3Gb/s, mSATA and Audio (by project support, MOQ 100pcs / lot)
32000-070301-RS	Dual-port USB cable
32205-002700-100-RS	RS-232 cable
32205-003800-100-RS	RS-422/485 cable, 200mm
32000-023800-RS	PS/2 KB/MS Y cable