

CF-SATA

FEATURES

- Replace solution of CF
- **50pins SATA** interface
- Support industrial grade up to **64GB**
- High-reliability: anti-shock & vibration
- **Excellent data transfer speed**
- Static wear-leveling algorithm
- Support **Thermal Sensor**

SATA II
3.0Gb/si SLC
TechnologyWear
LevelingR: 120MB
W: 95MB

S.M.A.R.T

Thermal
Sensor

FCC CE RoHS

Specifications

Connector Type	CF 50pin
Flash Type	iSLC (InnoDisk Single Level Cell)
Density	2GB, 4GB, 8GB, 16GB, 32GB, 64GB
Transfer Mode	SATA II 3.0Gb/s
Sustained R/W Performance	Read : 120 MB/sec (max.) Write : 95 MB/sec (max.)

Environmental

DC Input	+5V DC \pm 5%
Power consumption (Max.)	Read: 230 mA Write: 330 mA Idle: 130 mA
Operating Temperature	0°C~+70°C (Standard Grade) -40°C~+85°C (Industrial Grade)
Storage Temperature	-55°C~+95°C
Humidity	Relative Humidity: 10-95%, non-condensing
Flash Endurance	35,000 program/erase cycles
MTBF	> 4,000,000 hours
Certification	CE, FCC, RoHS
Warranty	3 years

Mechanicals

Dimension (W x L x H)	42.8mm x 36.4mm x 3.3mm
Weight	9g \pm 1g
Vibration	7 Hz to 2K Hz, 3 axes
Shock	Duration: 1500G, 0.5ms, 3 axes

Health monitoring Tool

S.M.A.R.T.	Supported
i-S.M.A.R.T.	Supported (Utility for Windows, Linux)

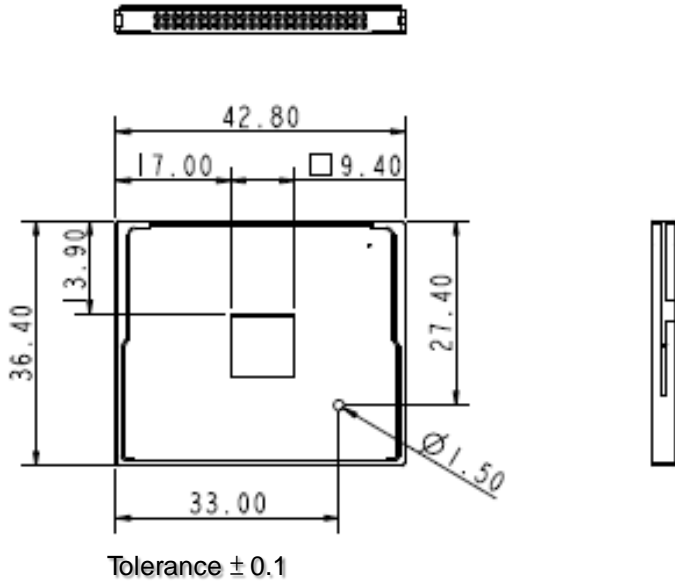
Special Features

Security	Write Protection
LED	Supported
Thermal Sensor	Supported

Ordering Information

Capacity	Standard Grade	Industrial Grade
2GB	DC1M- <u>02G</u> J301 <u>C</u> 1SN	DC1M- <u>02G</u> J301 <u>W</u> 1SN
4GB	DC1M- <u>04G</u> J301 <u>C</u> 1DN	DC1M- <u>04G</u> J301 <u>W</u> 1DN
8GB	DC1M- <u>08G</u> J301 <u>C</u> 1QN	DC1M- <u>08G</u> J301 <u>W</u> 1QN
16GB	DC1M- <u>16G</u> J301 <u>C</u> 1QN	DC1M- <u>16G</u> J301 <u>W</u> 1QN
32GB	DC1M- <u>32G</u> J301 <u>C</u> 1QN	DC1M- <u>32G</u> J301 <u>W</u> 1QN
64GB	DC1M- <u>64G</u> J301 <u>C</u> 1QN	DC1M- <u>64G</u> J301 <u>W</u> 1QN

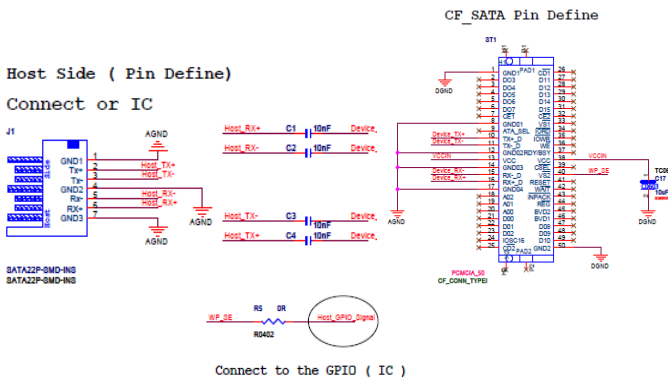
Mechanical Dimension



CF SATA signal

SATA Signal		
Pin	Pure IDE Mode Definition	CF_SATA Protocol
1	DGND	DGND
8	DGND	AGND
10	DGND	TX+
11	DGND	TX-
12	DGND	AGND
13	VCC5	VCC5
14	DGND	AGND
15	DGND	RX-
16	DGND	RX+
17	DGND	AGND
38	VCC5	VCC5

Host Reference Circuit Design



CF SATA advantage

1. CF SATA complies with **Serial ATA** by extracting unusual pins from CF50 pin
2. InnoDisk CF-SATA has the same mechanical design with Compact Flash card
3. CF SATA performance has triple times than CF Card

CF-SATA & CF Card & CFast

	CFast D150Q	CF 4000	CF SATA
Controller	ID101	F3	ID101
Capacity	2GB~64GB	2GB~16GB	2GB~64GB
Interface	7pin SATA signal + 17 power supply	50pin Compact Flash	50pin Compact Flash 4 pin SATA from reserved
Transfer rate	SATA II	UDMA 0-6/PIO 0-4	SATA II
Data Transfer Rate	Read: 120MB/sec Write: 100MB/sec	Read: 40MB/sec Write: 20MB/sec	Read: 120MB/sec Write: 100MB/sec
Operation Temp.	0°C~70 °C(Standard) -40°C~+85 °C(Industrial)		
Operation Voltage	3.3V	5V	5V
Dimension	36.4x42.8x3.6mm(LxWxH)	36.4x42.8x3.3mm(LxWxH)	36.4x42.8x3.3mm(LxWxH)